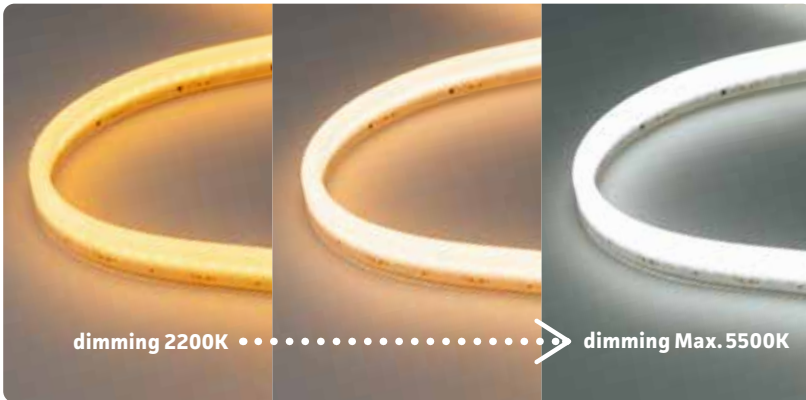


# TSUBAKI SEAMLESS LIGHT TYPE H DUO (Tunable White)

**NEW**



## KEY FEATURES AND BENEFITS

- **IP67 Rated flexible LED Strip with side-Bend**
- **Adjustable CCT range : 2200K~5500K**
- **Max length : 5026mm**
- **Customizable 88 different lengths**
- **LEDs sealed by Silicone**
- **Installation :** See ACCESSORIES for options on mounting channels.
- **Environment :** Exterior. IP67 rated. Water and dust resistant. Proper drainage required. Product should not reside in standing water. Not for use as a submersible light source.
- **Power and Control :** DMX-512, DALI on/off, and dimming control options. Contact factory for more information.

## ORDERING

PRODUCT No.	LENGTH
<b>GLD-TU</b>	<b>5026.0</b>
1 PRODUCT	2 LEAD WIRES
	3 LENGTH

1	PRODUCT
GLD-TU	Tsubaki Seamless Light Type H Duo (Tunable White)
2	LEAD WIRES
-	Lead wires at one end.
W	Lead wires at both ends.
3	LENGTH
See length ordering guide.	

## PRODUCT SPECIFICATIONS

<b>LED</b>	(108+108) LED/m
<b>LED PITCH</b>	9.5 mm
<b>2200K</b>	540 lm/m
<b>5500K</b>	620 lm/m
<b>INPUT</b>	24VDC
<b>WATTS</b>	17 W/m (2200K : 9w/m, 5500K : 8w/m)
<b>WIDTH<sup>1</sup></b>	11mm
<b>HEIGHT<sup>1</sup></b>	26 mm
<b>LENGTH<sup>2</sup></b>	67 mm ~ 5026 mm
<b>WEIGHT</b>	260 g/m
<b>BEAM ANGLE</b>	205°
<b>TRIM POINTS</b>	Every 57mm
<b>Max Unit Connectable</b>	5m (5026 mm)
<b>Bending Radius</b>	R60 mm horizontal
<b>Operating Temperature</b>	-10° to 55°C

<sup>1</sup>End cap is 14w x 29h mm. See DRAWINGS.  
<sup>2</sup>See LENGTH ORDER GUIDE.

## PRODUCT No.

Standard	"W" Type <sup>1</sup>	LED COLOR
GLD-TU	GLD-TUW	2200K/5500K

※Please contact factory if you request other single color and color temperature.  
<sup>1</sup>"Lead wires at both ends" Type

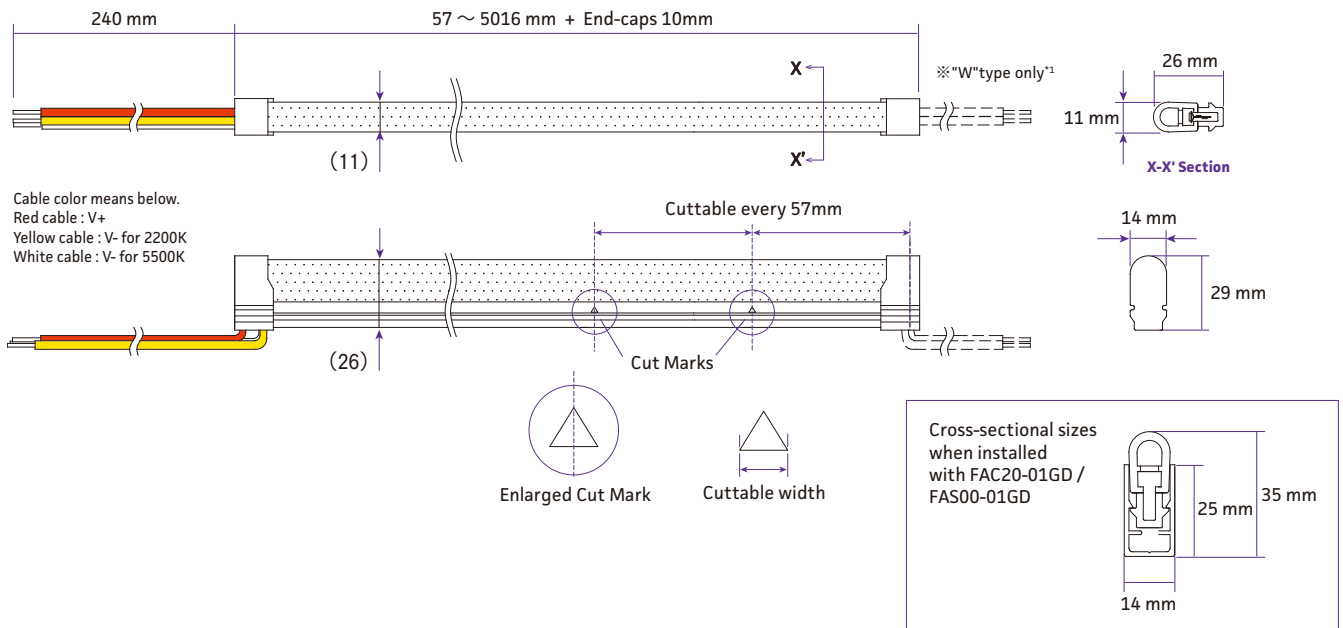
# TSUBAKI SEAMLESS LIGHT TYPE H DUO (Tunable White)

**NEW**

## LENGTH ORDER CODE GUIDE (LENGTHS INCLUDE END CAPS. )

MM	MM	MM	MM	MM	MM
67	922	1777	2632	3487	4342
124	979	1834	2689	3544	4399
181	1036	1891	2746	3601	4456
238	1093	1948	2803	3658	4513
295	1150	2005	2860	3715	4570
352	1207	2062	2917	3772	4627
409	1264	2119	2974	3829	4684
466	1321	2176	3031	3886	4741
523	1378	2233	3088	3943	4798
580	1435	2290	3145	4000	4855
637	1492	2347	3202	4057	4912
694	1549	2404	3259	4114	4969
751	1606	2461	3316	4171	5026
808	1663	2518	3373	4228	
865	1720	2575	3430	4285	

## DIMENSIONS



## ACCESSORIES<sup>1</sup>

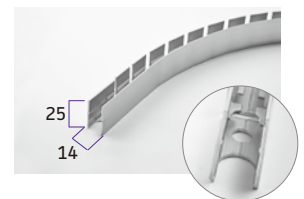
### ALUMINUM CHANNEL FOR STRAIGHT LINE

- FAS00-01GD**  
Rigid channel for straight line installations.  
Weight : 200g  
W x H x L : 14 x 25 x 1000 mm



### ALUMINUM CHANNEL FOR FLEXIBLE LINE

- FAC20-01GD**  
Flexible channel for curvy line installations.  
Weight : 180g  
W x H x L : 14 x 25 x 1000 mm



<sup>1</sup> Select one method for installation. These accessories are not used together. See INSTALLATION.